

DIN RAILMOUNT DIGITAL KWH METER

VOFFMAN™

VM-KWH-DRD-110 electronic singlephase modular watt-meter is a new generation product with good capability which is advanced on the basis of single phase electric meter. It enjoys high accuracy of measure and ease of installation.

VM-KWH-DRD-310 three-phase four-wire electronic watt-hour meter adopts special LSI circuitry and advanced technology. Its general goal is the high reliability, which is carried out in every step of designing, producing, testing, aging and exam. Compared with traditional watt-hour meter, it has higher accuracy, reliability and is light and compact.

FEATURES

- Active electricity measuring, ease of use
- Prevent reverse tamper and indication
- Capabilities correspond to IEC62052-21 standards
- Class 1 accuracy



VM-KWH-DRD-310



VM-KWH-DRD-110

TECHNICAL SPECIFICATIONS

VM-KWH-DRD-110

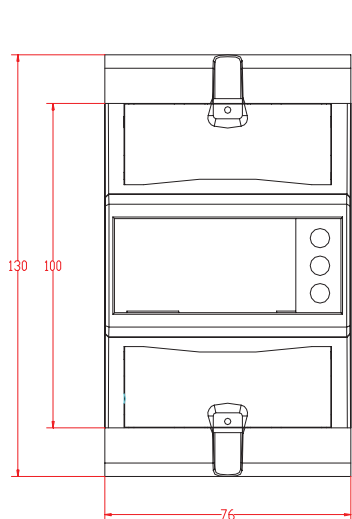
- Rated voltage: 230V
- Rated current: 10(100)A.
- Rated frequency: 50Hz-60Hz
- Display mode: Counter 5+1 = 99999.9kWh
- Impulse constant: 1600imp/kWh
- Class of Accuracy: 1.0
- Start current: 0.4%Ib (class 1.0)
- Creep: logical design of Anti-creep
- Power consumption: $\leq 2W$, 10VA
- Environment condition:
 - Standard work temperature -10—50°C
 - Storage temperature -30—70°C
 - Relative humidity $\leq 75\%$
- Outer size: 130(H)x76(W)x65(D)mm

VM-KWH-DRD-310

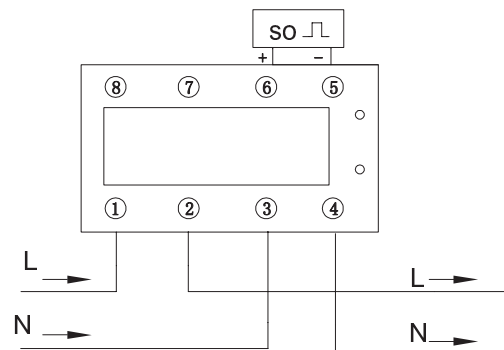
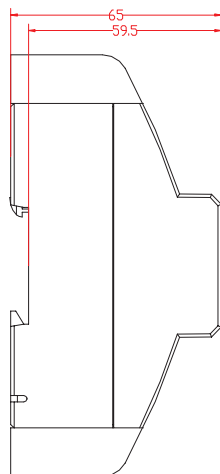
- Rated voltage: 230V
- Rated current: 10(100)A
- Display mode: Counter 5+1 = 99999.9kWh
- Impulse constant: 400imp/kWh
- Class of Accuracy: 1.0
- Start current: 0.4%Ib (Class 1.0)
- Creep: logical design of Anti-creep
- Power consumption: $\leq 2W$, 10VA
- Environment condition:
 - Standard work temperature -10~50°C
 - Storage temperature -30~70°C
 - Relative humidity $\leq 75\%$
- Outer size: 130(H)x126(W)x65(D)mm

DIN RAILMOUNT DIGITAL KWH METER

VM-KWH-DRD-110

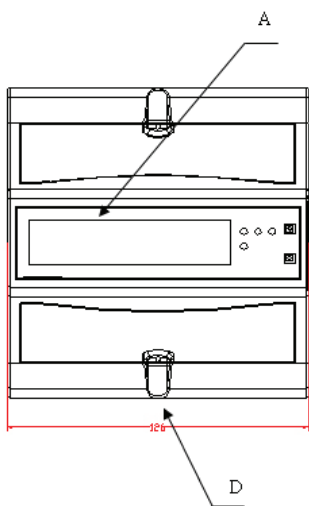


DIMENSION(mm)

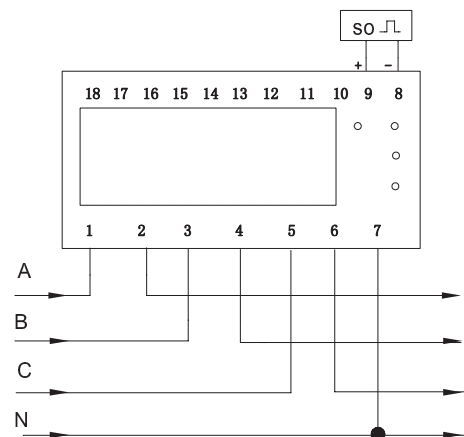
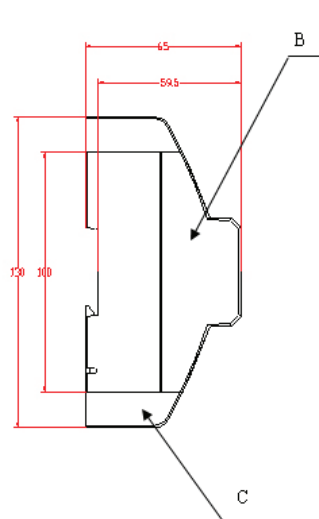


WIRINGDIAGRAM

VM-KWH-DRD-310



DIMENSION(mm)



WIRINGDIAGRAM

AUTHORISED DEALER :