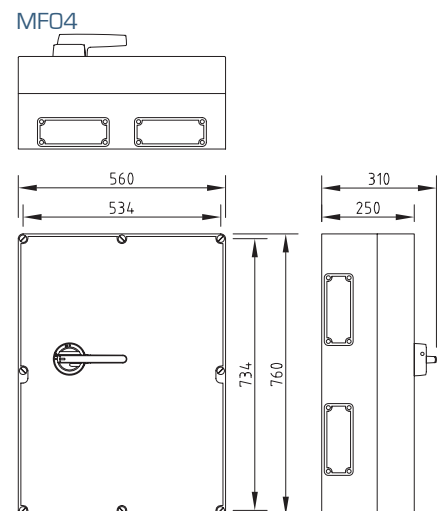
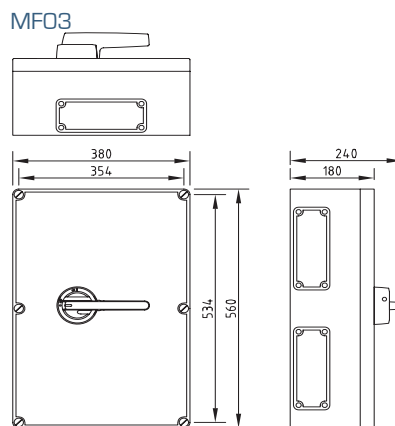
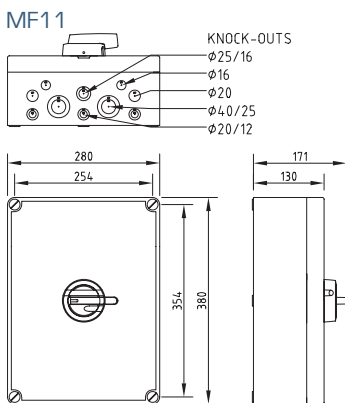
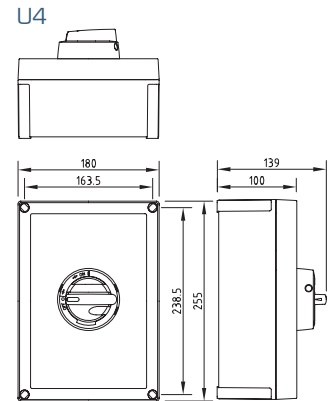
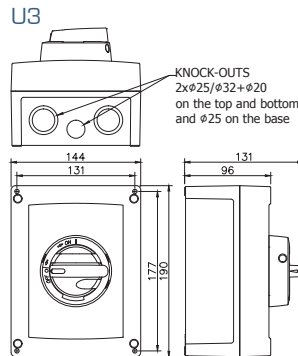
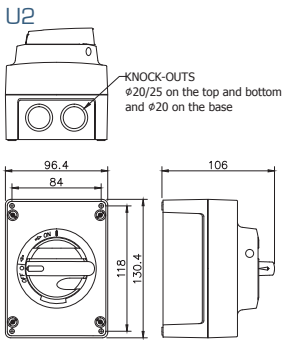


POLYCARBONATE ENCLOSED SAFETY SWITCHES / ISOLATORS 10-630 A



- IP 66; Enclosure types U2, U3, U4
- IP 65; Enclosure types MF11, MF03, MF04
- Self-extinguishing material
- Wide operating temperature range
- Padlockable
- Door interlock with defeat mechanism
- Excellent insulating properties
- Good UV resistance
- Good resistance against many chemicals



POLYCARBONATE ENCLOSED SAFETY SWITCHES / ISOLATORS 10-630 A

Type		AC-21	400 V	AC-22	400 V	AC-23	AC-23	690 V	EAN codes		Enclosure	Weight kg
			415 V		415 V				415 V	6419410...		
Grey/black	Yellow/red	I _e / A	690 V	I _e / A	I _e / A	P / kW	I _e / A	P / kW	Grey/black	Yellow/red		
3-pole												
KEM 310U	KEM 310U Y/R	20 A		10 A	10 A	5.5 kW	10 A	7.5 kW	...327654	...327722	U2	0.4
KEM 316U	KEM 316U Y/R	25 A		16 A	16 A	7.5 kW	16 A	11 kW	...327661	...327739	U2	0.4
KEM 325U	KEM 325U Y/R	40 A		25 A	25 A	11 kW	25 A	22 kW	...327685	...327753	U2	0.4
KEM 340U	KEM 340U Y/R	63 A		40 A	40 A	22 kW	32 A	30 kW	...327708	...327777	U2	0.4
KEM 363U	KEM 363U Y/R	80 A		63 A	40 A	22 kW	40 A	37 kW	...399637	...399644	U3	0.6
KEM 380U	KEM 380U Y/R	100 A		80 A	63 A	30 kW	40 A	37 kW	...399651	...399668	U3	0.6
KEM 3125U	KEM 3125U Y/R	160 A		125 A	100 A	55 kW	80 A	55 kW	...481721	...481738	U4	1
KEM 3160	KEM 3160 Y/R	200 A		160 A	135 A	75 kW	125 A	90 kW	...323403	...319505	MF11	3.3
KEM 3200	KEM 3200 Y/R	200 A		200 A	200 A	110 kW	200 A	160 kW	...323809	...319826	MF03	7.8
KEM 3200C	KEM 3200C Y/R	200 A		200 A*	200 A	110 kW	-	-	...323816	...323823	MF11	3.4
KEM 3250	KEM 3250 Y/R	250 A		250 A	250 A	132 kW	250 A	250 kW	...324202	...319888	MF03	7.8
KEM 3250C	KEM 3250C Y/R	250 A		250 A*	250 A	132 kW	-	-	...324219	...324226	MF11	3.4
KEM 3315	KEM 3315 Y/R	315 A		315 A	315 A	160 kW	315 A	315 kW	...324608	...319949	MF03	8.2
KEM 3400	KEM 3400 Y/R	400 A		400 A	400 A	200 kW	400 A	355 kW	...325001	...320006	MF03	8.2
KEM 3630	KEM 3630 Y/R	630 A		630 A	630 A	355 kW	500 A	500 kW	...325407	...320068	MF04	21.0
4-pole												
KEM 410U	KEM 410U Y/R	20 A		10 A	10 A	5.5 kW	10 A	7.5 kW	...321072	...301487	U2	0.5
KEM 416U	KEM 416U Y/R	25 A		16 A	16 A	7.5 kW	16 A	11 kW	...327678	...327746	U2	0.5
KEM 425U	KEM 425U Y/R	40 A		25 A	25 A	11 kW	25 A	22 kW	...327692	...327760	U2	0.5
KEM 440U	KEM 440U Y/R	63 A		40 A	40 A	22 kW	32 A	30 kW	...327715	...327784	U2	0.5
KEM 463U	KEM 463U Y/R	80 A		63 A	40 A	22 kW	40 A	37 kW	...399675	...399682	U3	0.7
KEM 480U	KEM 480U Y/R	100 A		80 A	63 A	30 kW	40 A	37 kW	...399699	...399705	U3	0.7
KEM 4125U	KEM 4125U Y/R	160 A		125 A	100 A	55 kW	80 A	55 kW	...323120	...323144	U4	1
KEM 4160	KEM 4160 Y/R	200 A		160 A	135 A	75 kW	125 A	90 kW	...323502	...319604	MF11	3.4
KEM 4200	KEM 4200 Y/R	200 A		200 A	200 A	110 kW	200 A	160 kW	...323908	...323922	MF03	8.3
KEM 4200C	KEM 4200C Y/R	200 A		200 A*	200 A	110 kW	-	-	...323915	...323939	MF11	3.5
KEM 4250	KEM 4250 Y/R	250 A		250 A	250 A	132 kW	250 A	250 kW	...324325	...324349	MF03	8.3
KEM 4250C	KEM 4250C Y/R	250 A		250 A*	250 A	132 kW	-	-	...324332	...324356	MF11	3.5
KEM 4315	KEM 4315 Y/R	315 A		315 A	315 A	160 kW	315 A	315 kW	...324707	...324721	MF03	8.8
KEM 4400	KEM 4400 Y/R	400 A		400 A	400 A	200 kW	400 A	355 kW	...325100	...325124	MF03	8.8
KEM 4630	KEM 4630 Y/R	630 A		630 A	630 A	355 kW	500 A	500 kW	...327616	...327623	MF04	22.1
6-pole												
KEM 616U	KEM 616U Y/R	25 A		16 A	16 A	7.5 kW	16 A	11 kW	...399712	...399729	U3	0.9
KEM 625U	KEM 625U Y/R	40 A		25 A	25 A	11 kW	25 A	22 kW	...399736	...399743	U3	0.9
KEM 640U	KEM 640U Y/R	63 A		40 A	40 A	22 kW	32 A	30 kW	...399750	...399767	U3	0.9
KEM 663U	KEM 663U Y/R	80 A		63 A	40 A	22 kW	40 A	37 kW	...399774	...399781	U3	0.9
KEM 680U	KEM 680U Y/R	100 A		80 A	63 A	30 kW	40 A	37 kW	...399798	...399804	U3	0.9
KEM 6125	KEM 6125 Y/R	160 A		125 A	100 A	55 kW	80 A	55 kW	...323205	...319307	MF11	2.1
KEM 6160	KEM 6160 Y/R	200 A		160 A	135 A	75 kW	125 A	90 kW	...323601	...319703	MF11	3.8
8-pole												
KEM 816U	KEM 816U Y/R	25 A		16 A	16 A	7.5 kW	16 A	11 kW	...399811	...399828	U3	1
KEM 825U	KEM 825U Y/R	40 A		25 A	25 A	11 kW	25 A	22 kW	...399835	...399842	U3	1
KEM 840U	KEM 840U Y/R	63 A		40 A	40 A	22 kW	32 A	30 kW	...399859	...399866	U3	1
KEM 863U	KEM 863U Y/R	80 A		63 A	40 A	22 kW	40 A	37 kW	...399873	...399880	U3	1
KEM 880U	KEM 880U Y/R	100 A		80 A	63 A	30 kW	40 A	37 kW	...399897	...399903	U3	1
KEM 8125	KEM 8125 Y/R	160 A		125 A	100 A	55 kW	80 A	55 kW	...323304	...319406	MF11	2.2
KEM 8160	KEM 8160 Y/R	200 A		160 A	135 A	75 kW	125 A	90 kW	...323700	...319758	MF11	4

* 400/415 V